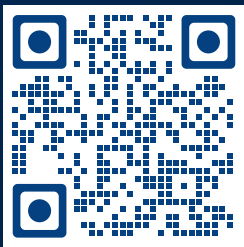




CGA STANDARD CRYOGENIC LIQUID TRANSFER CONNECTION CATALOG



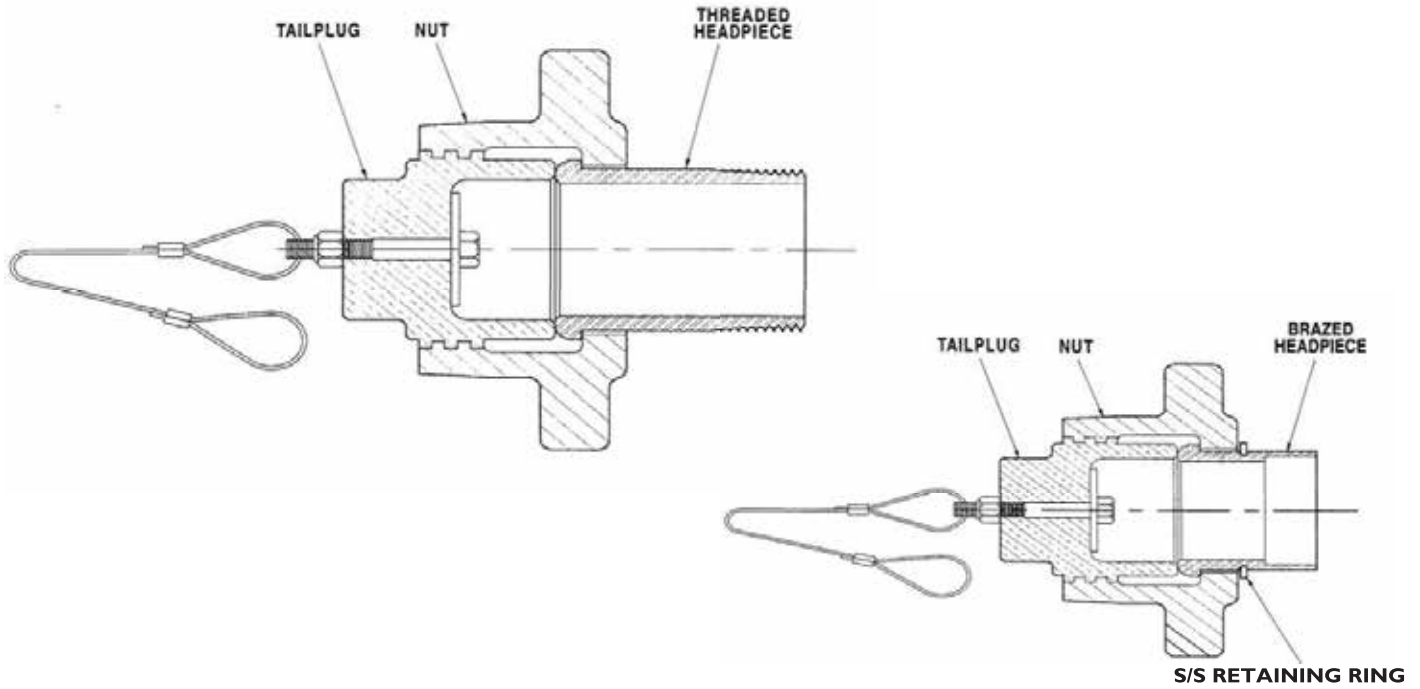
For more information on
Acme scan the QR Code
above

CGA Fittings Index

- **Designed for safe and reliable cryogenic liquid transfer**
- **Fully compliant with CGA V6**
- **Easier and quicker for operators and drivers to connect and disconnect**
- **Worlds largest inventory of CGA Liquid Transfer**

Brazed And Threaded Hose End Assembly	3
Fixed End Assembly - Cast Type.....	4
Fixed End Assembly - Machine Type	5
Integral Flange Cast Fixed End Assembly.....	6
Integral Flange Cast Fixed End Assembly.....	7
Fixed End Machined With Milled Flats To Accept Fixed End Clamps	8
Fixed End Assembly Brazed Block.....	10
Fixed End Assembly Rail Car.....	10
Hose Nut.....	11
Head Plug Assembly	11
Pressure Cap Assembly	12
Copper Clad Gasket (Double Jacket) Or Virgin Teflon®	12
Head Piece Threaded.....	13
Head Piece Braze End And Schedule 10 BWE	13
Dust Cap Assembly	14
Tail Plug Assembly.....	14
Fixed End Clamp.....	15
Fixed End Clamp, Right Angled.....	15
Stainless Steel Cable Assembly	15
Bolt Assembly for Fixed End Clamp	15
Forged Brass Flanges 4-Bolt Hole Solder Type With Tongue	16
Forged Brass Flanges 4-Bold Solder Type With Groove.....	17
4-Bolt Hole Aluminum Shipping Plate.....	18
Gaskets	18
Hardware (Suitable For Cryogenic Applications).....	18

Brazed And Threaded Hose End Assembly

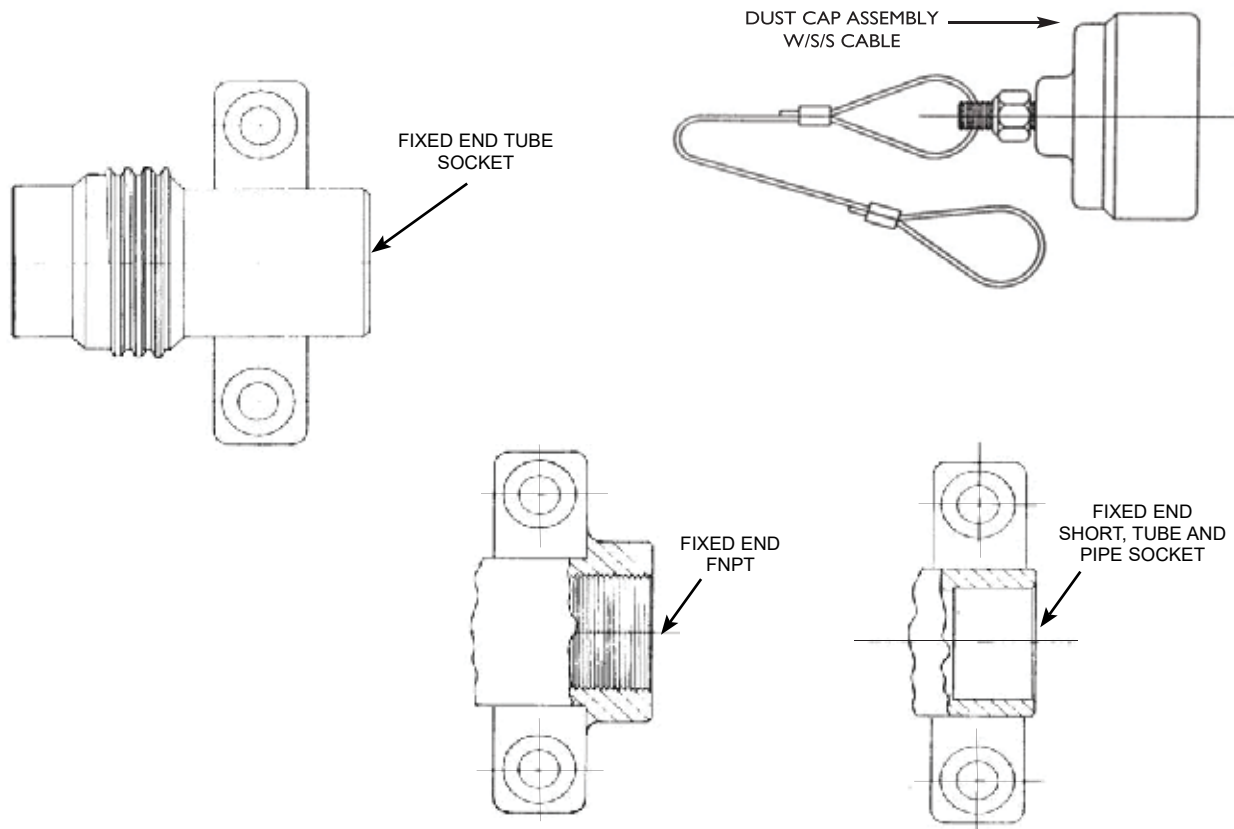


Ordering Information

Acme Part No.	Liquid Service	Fitting Size	Hose Size	Hose End Type	CGA Designation
590-003-15	Nitrogen	1½"	1½"	Threaded	NI-150
590-007-25	Nitrogen	2½"	2½"		NI-250
590-035-25		2½"	2"		NI-250
580-007-15	Argon	1½"	1½"		AR-150
580-003-25	Argon	2½"	2½"		AR-250
580-045-25	Argon	2½"	2"		AR-250
540-002-15	Oxygen	1½"	1½"		OX-150
540-017-20		2"	2"		OX-200
540-009-30		3"	3"		OX-300
540-035-30		2"	OX-300		
540-057-30		2½"	OX-300		
590-028-15	Nitrogen	1½"	1½"	Brazed	NI-150
590-034-25		2½"	2½"		NI-250
590-036-25			2"		NI-250
580-042-15	Argon	1½"	1½"		AR-150
580-044-25		2½"	2½"		AR-250
580-046-25		2"	AR-250		
540-015-15	Oxygen	1½"	1½"		OX-150
540-029-20		2"	2"		OX-200
540-031-30		3"	3"		OX-300
540-052-30			2"		OX-300

NOTE: All assembly numbers are for bronze nuts and naval brass headpieces. For stainless steel, order as individual items.

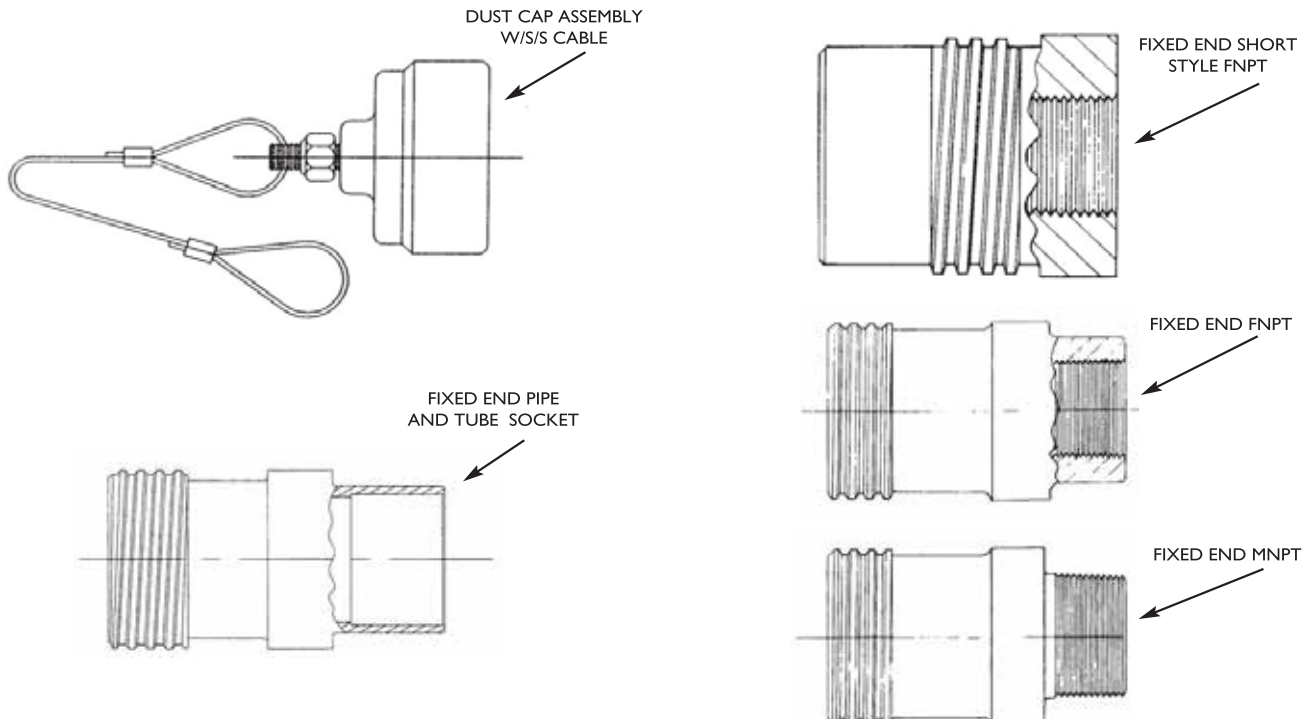
Fixed End Assembly - Cast Type



Ordering Information

Acme Part No.	Liquid Service	Fitting Size	End Connections	CGA Connections
590-015-15	Nitrogen	1½"	1½" FNPT	NI-150
590-016-15		1½" Short	1½" Tube Socket	
590-020-15		1½"	1½" Pipe Socket	
590-042-15		2½"	2" Tube Socket	
590-040-25		1½"	1½" FNPT	
580-029-15	1½" Short	1½" Tube Socket		
580-040-15	1½"	1½" Pipe Socket		
580-047-15	2½"	2" Tube Socket	AR-250	
580-020-25	Oxygen	1½"	1½" Tube Socket	OX-150
540-018-15		1½"	1½" FNPT	
540-049-15		1½" Short	1½" Tube Socket	
540-050-15		1½"	1½" Pipe Socket	OX-200
540-077-15		2"	2" Tube Socket	
540-016-20		2"		
540-051-20		2" Short		

Fixed End Assembly - Machine Type



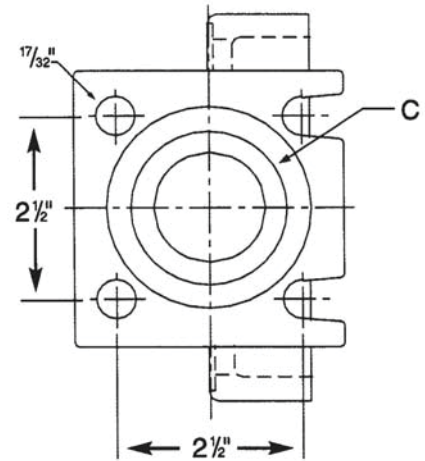
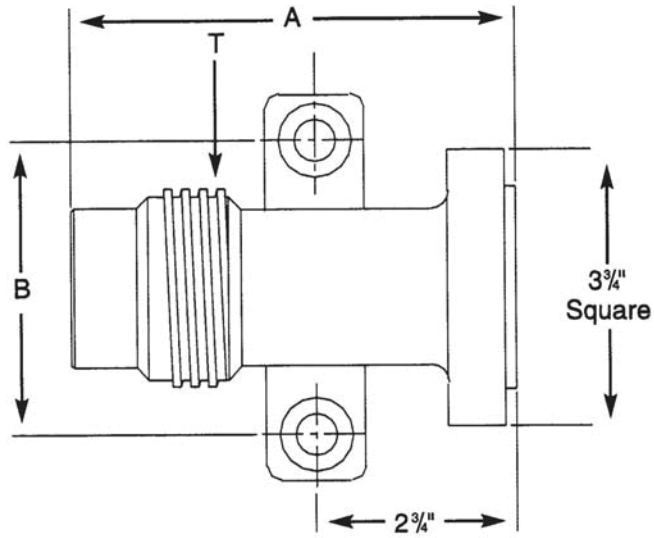
Ordering Information *

Acme Part No.	Liquid Service	Fitting Size	End Connections	CGA Designation	
590-012-15	Nitrogen	1½"	1½" FNPT	NI-ISO	
590-013-15			1½" MNPT		
590-027-15			1½" Tube Socket		
590-012-15			1½" FNPT		
590-017-25		2½"	2½" FNPT	NI-250	
590-019-25			2" FNPT Short Style		
590-033-25			2½" Tube Socket		
590-048-25			2½" Pipe Socket		
580-012-15	Argon	1½"	1½" FNPT	AR-ISO	
580-013-15			1½" MNPT		
580-019-15			1¼" MNPT		
580-027-15			1½" Pipe Socket		
580-028-15			1" Pipe Socket		
580-041-15			1½" Tube Socket		
580-051-15			1½" FNPT		
580-038-25		2½"	2½" FNPT	AR-250	
580-039-25			2" FNPT Short Style		
580-043-25			2½" Tube Socket		
580-048-25			2½" Pipe Socket		
540-014-15		Oxygen	1½"	1½" Tube Socket	OX-ISO
540-045-15				1½" MNPT	
540-046-15				1½" FNPT	
540-019-20	2"		2" Tube Socket	OX-200	
540-047-20			2" FNPT		
540-030-30	3"		3" Tube Socket	OX-300	
540-048-30			3" FNPT		
540-085-30			2½" Pipe Socket		

NOTE: All assembly numbers are for naval brass fixed ends. For stainless steel, order as individual items.

*Orifice available

Integral Flange Cast Fixed End Assembly

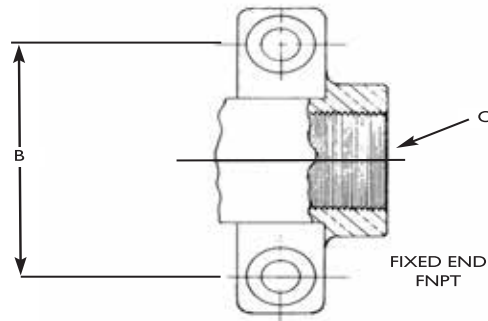
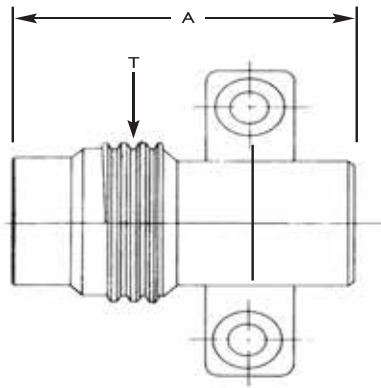


Ordering Information

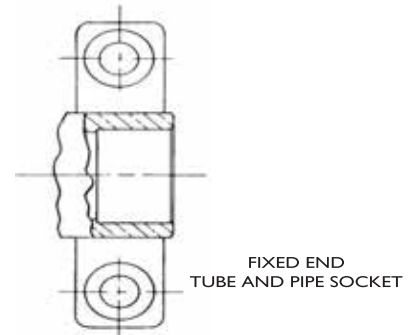
Acme Part No.	Liquid Service	Size	CGA Designation	"T" Thread Size	A		B		C End Connections
					Inches	MM	Inches	MM	
590-123-15	Nitrogen	1 1/2"	NI-150	2.4-4 Stub Acme	6.125	155.6	4.000	101.6	4 bolt fig w/tongue
580-123-15	Argon		AR-150	2.7-4 Stub Acme					
540-123-15	Oxygen		OX-150	2.5-4 Stub Acme					

-124- adds dustcap, hardware, etc... Makes it an assembly.

Integral Flange Cast Fixed End Assembly



Precision machined to Compressed Gas Association standards. Material red brass casting ASTM-B62.



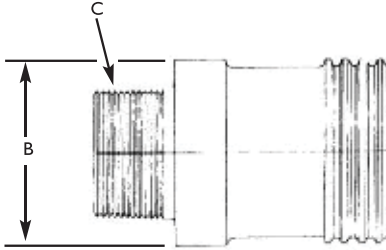
Ordering Information

Acme Part No.	Liquid Service	Size	CGA Designation	T Thread Size	A		B		C
					Inches	mm	Inches	mm	End Connections
590-021-15	Nitrogen	1½"	NI-150	2.4-4 Stub Acme	4.875	123.8	4	101.6	1½" Tube Socket
590-037-15									1½" FNPT
590-038-15					1½" Tube Socket				
590-041-15						1½" Pipe Socket			
590-022-25	Argon	2½"	AR-150	3.5-4 Acme	5.062	128.6			2" Tube Socket
580-021-15									1½" Tube Socket
580-034-15					1½" Tube Socket				
580-035-15						1½" FNPT			
580-076-15	Oxygen	1½"	OX-150	2.5-4 Acme	4.875	123.8	1½" Pipe Socket		
580-022-25							2" Tube Socket		
540-020-15					1½" Tube Socket				
540-036-15						1½" FNPT			
540-038-15	1½" Tube Socket								
540-076-15		1½" Pipe Socket							
540-021-20	2"	3-4 Acme	OX-150	3-4 Acme	4.875	123.8	2" Tube Socket		
540-028-20							2" Tube Socket		

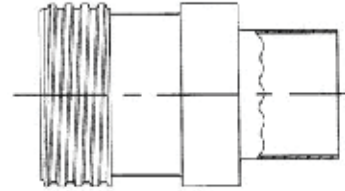
** Orifice fittings available, can be drilled to any size.

Fixed End Machined With Milled Flats To Accept Fixed End Clamps

Precision machined to Compressed Gas Association standards.
 Material naval brass per ASTM-B-21
 Material 304 SS ASTM-A276
 Material 316 SS ASTM-A276



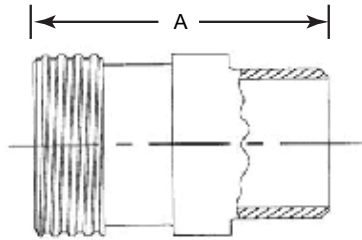
FIXED END MNPT



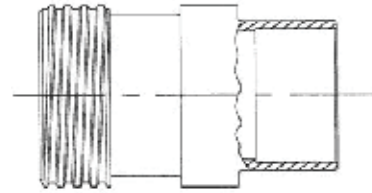
O.D. TUBE BWE



FIXED END FNPT



FIXED END SCH 10 BWE



FIXED END TUBE AND PIPE SOCKET

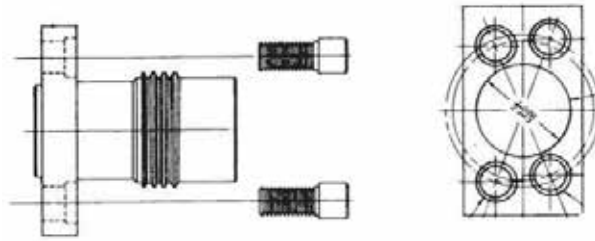
Ordering Information

Acme Part No.	Liquid Service	Size	CGA Connections	Material	A		B	C	
					Inches	mm	Inches	End Connections	
590-014-15	Nitrogen	1½"	NI-150	Naval Brass	4.250	2.750	2.750	1½" MNPT	
590-023-15								1½" Tube Socket	
590-039-15								1½" FNPT	
590-094-15								1½" Pipe Socket	
590-060-15								1½" Tube Socket	
590-061-15								1½" Pipe Socket	
590-062-15				1½" FNPT					
590-063-15				1½" MNPT					
590-064-15				1½" Sch 10 BWE					
590-065-15				304 SS				¼" FNPT	
590-067-15									2" MNPT
590-068-15									1½" Pipe Socket
590-069-15									1½" O.D. Tube BWE
590-070-15									1½" Tube Socket
590-058-15									1½" FNPT
590-071-15				316L SS				1½" MNPT	
590-072-15									1½" Sch 10 BWE
590-073-15									1½" O.D. Tube BWE
590-074-15		2" O.D. Tube BWE							
590-079-15		2" FNPT-Short							
590-090-15		2½" Tube Socket							
ASK-40-0014		2½"	NI-250	Naval Brass	4.625	3.750		2½" FNPT	
590-024-25								2½" Tube Socket	
590-029-25								2½" FNPT	
590-043-25				3" Sch 10 BWE					
590-044-25				2½" Tube Socket					
590-044-25				2½" Sch 10 BWE					

Fixed end clamps on page 15

Acme Part No	Liquid Service	Size	CGA Connections	Material	A	B	C	
					Inches	Inches	End Connections	
590-053-25	Nitrogen	2½"	NI-250	Naval Brass	3.125	3.750	2½" FNPT Short	
590-057-25				316L S/S			2½" Pipe Socket	
590-075-25				Naval Brass	2" FNPT			
590-076-25				Naval Brass	3" FNPT			
590-077-25				304 S/S	2½" Pipe Socket			
590-078-25					3.125		3" FNPT	
590-083-25				4.625	3" FNPT			
590-084-25				316L S/S	¼" FNPT			
590-085-25				304 S/S	2" MNPT			
590-086-25				4.625	1" Pipe Socket			
580-014-15	Argon	1½"	AR-150	Naval Brass	4.250	2.750	1½" Pipe Socket	
580-015-15				316L S/S			1½" MNPT	
580-016-15				Naval Brass			1¼" MNPT	
580-017-15				316L S/S			1½" Tube Socket	
580-023-15				Naval Brass			1½" FNPT	
580-033-15				316L S/S			1½" Tube Socket	
580-060-15							1½" Pipe Socket	
580-061-15							1½" FNPT	
580-062-15				304 S/S			1½" MNPT	
580-063-15				316L S/S			1½" Sch 10 BWE	
580-064-15				Naval Brass			¼" FNPT	
580-065-15				304 S/S			1½" Tube Socket	
580-067-15				316L S/S			1½" Pipe Socket	
580-068-15				Naval Brass			1½" FNPT	
580-070-15				304 S/S			1½" MNPT	
580-071-15		1½" Sch 10 BWE						
580-072-15		1½" O.D. Tube BWE						
580-073-15		316L S/S	2" O.D. Tube BWE					
580-074-15		2½"	AR-250	Naval Brass	3.187		3.837	2" FNPT Short
580-075-15				304 S/S	4.687			2½" Tube Socket
580-076-15				Naval Brass	2½" FNPT			
580-077-15				304 S/S	3" FNPT			
580-078-15				Naval Brass	3" Sch 10 BWE			
580-079-15				304 S/S	2½" FNPT Short			
580-080-15				316L S/S	2½" Pipe Socket			
580-081-15				304 S/S	3" FNPT			
580-082-15				304 S/S	3" FNPT			
580-085-15				304 S/S	2½" Sch 10 BWE			
580-086-15		1½"	OX-150	Naval Brass	4.250		2.750	¼" FNPT
580-087-15				316L S/S	1½" Tube Socket			
580-088-15	Naval Brass			1½" FNPT				
580-089-15	316L S/S			1½" MNPT				
580-090-15	304 S/S			1½" Tube Socket				
580-091-15	316L S/S			1½" Pipe Socket				
580-092-15	Naval Brass			1½" FNPT				
580-093-15	304 S/S			1½" MNPT				
580-094-15	316L S/S			1½" Sch 10 BWE				
580-095-15	Naval Brass			1½" O.D. Tube BWE				
580-096-15	304 S/S			2" O.D. Tube BWE				
580-097-15	316L S/S			1½" Pipe Socket				
580-098-15	Naval Brass			2" Tube Socket				
580-099-15	304 S/S			2" FNPT				
580-100-15	Naval Brass			2" Sch 10 BWE				
540-023-15	Oxygen	1½"	OX-150	Naval Brass	4.250	2.750	3" Tube Socket	
540-037-15				316L S/S	3" FNPT			
540-041-15				Naval Brass	2" Pipe Socket			
540-060-15				316L S/S	2" FNPT Short			
540-061-15				Naval Brass	2½" Pipe Socket			
540-062-15				316L S/S	1½" FNPT			
540-063-15				Naval Brass	1½" MNPT			
540-064-15				304 S/S	1½" Tube Socket			
540-065-15				316L S/S	1½" Pipe Socket			
540-067-15				Naval Brass	1½" FNPT			
540-068-15		304 S/S	1½" MNPT					
540-070-15		316L S/S	1½" Sch 10 BWE					
540-071-15		Naval Brass	1½" O.D. Tube BWE					
540-072-15		304 S/S	2" O.D. Tube BWE					
540-073-15		316L S/S	1½" Pipe Socket					
540-074-15		Naval Brass	2" Tube Socket					
540-078-15		304 S/S	2" FNPT					
540-079-15		316L S/S	2" Sch 10 BWE					
540-090-15		Naval Brass	3" Tube Socket					
540-094-15		304 S/S	3" FNPT					
540-099-15		Naval Brass	2" Pipe Socket					
540-100-15		304 S/S	3" FNPT Short					
540-024-30		2"	OX-200	Naval Brass	4.500		2.750	2½" Pipe Socket
540-040-30				304 S/S	3" Sch 10 BWE			
540-058-30				Naval Brass	3" FNPT			
540-069-30	304 S/S			3" FNPT Short				
540-080-30	Naval Brass			2" Pipe Socket				
540-082-30	3"	OX-300	Naval Brass	3000	4.250	3" FNPT Short		
540-083-30			304 S/S	2½" Pipe Socket				
540-089-30			Naval Brass	3" Sch 10 BWE				
540-091-30			304 S/S	3" MNPT				
540-092-30			Naval Brass	3" Pipe Socket				
540-093-30			Naval Brass	4.500		2½" FNPT		

Fixed End Assembly Brazed Block

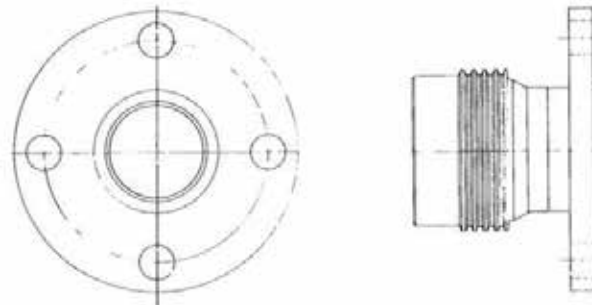


Ordering Information

Acme Part No.	Liquid Service	Size	CGA Connections
ASK-40-0434	Nitrogen	1½"	NI-150
ASK-40-0454	Argon		AR-150
ASK-40-0416	Oxygen		OX-150

Fixed End Assembly Rail Car

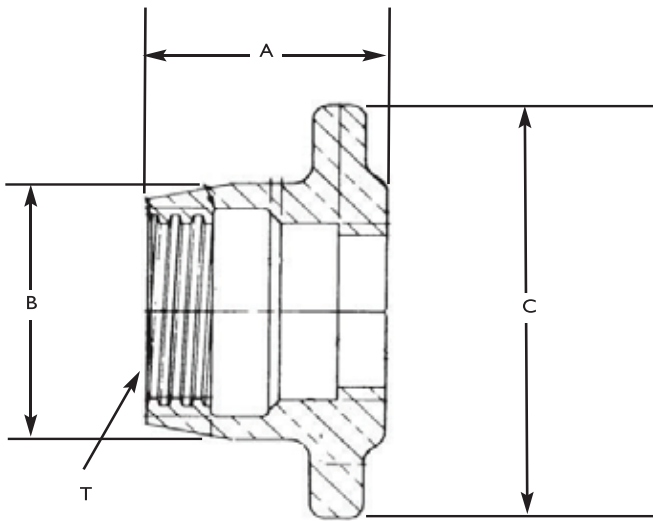
Fixed end naval brass ASTM B21
 Flange naval brass or 304 stainless steel



Ordering Information

Acme Part No.	Liquid Service	Size	CGA Connection	Flange Material
ASK-40-0440	Nitrogen	2½"	NI-250	Naval Brass
ASK-40-0441	Argon		AR-250	
ASK-40-0455	Oxygen	2"	OX-200	
ASK-40-0442	Oxygen	3"	OX-300	Stainless Steel
ASK-40-0443	Nitrogen	2½"	NI-250	
ASK-40-0444	Argon		AR-250	
ASK-40-0456	Oxygen	2"	OX-200	
ASK-40-0445	Oxygen	3"	OX-300	

Hose Nut

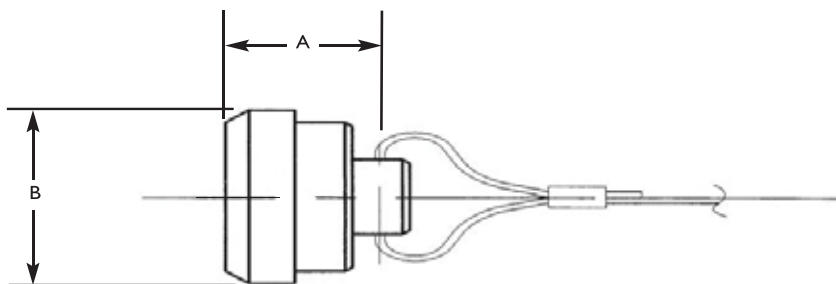


Cast Bronze per ASME SB 505.
316L S/S PER ASTM
A 351, CF3M. Precision machined
to conform to Compressed
Gas Association standards for
Cryogenic Liquid Transfer connections.

Ordering Information

Acme Part No.	Liquid Service	Size	CGA Connection	Material	A Inches	B Inches	C Inches
590-000-15	Nitrogen	1½"	NI-150	Bronze	2.812	3.250	5.250
590-055-15				316L SS			
590-002-25		2½"	NI-250	Bronze	2.937	4.375	6.250
590-108-25				316L SS		4.500	6.875
580-002-15	Argon	1½"	AR-150	Bronze	2.812	3.500	5.250
580-055-15				316L SS			
580-000-25		2½"	AR-250	Bronze	2.937	4.625	5.250
580-108-25				316L SS			
540-000-15	Oxygen	1½"	OX-150	Bronze	2.125	3.250	5.000
540-055-15				316L SS			
540-010-20		2"	OX-200	Bronze	2.062	3.500	6.000
540-005-30		3"	OX-300	Bronze	2.375	5.000	6.750
540-108-30				316L SS	2.437		

Head Plug Assembly



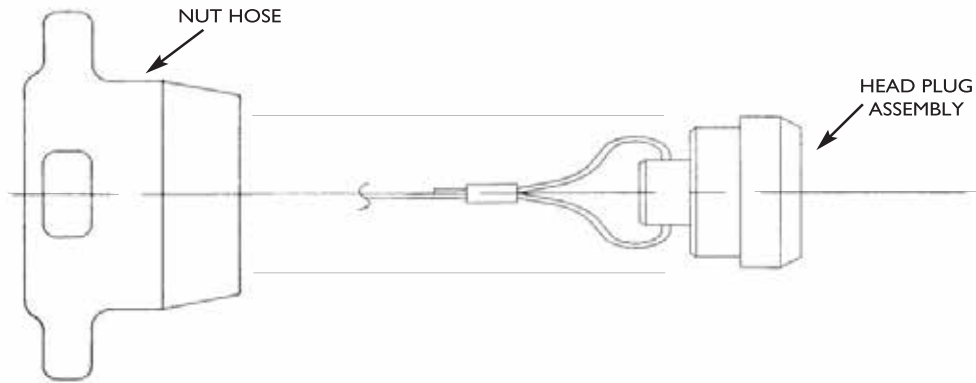
Plug material naval brass per ASTM B-21
Cable material 316L stainless steel
with 1/8" SS aircraft cable.

Ordering Information

Acme Part No.	Size	Inches	MM	Inches	MM	Material
ASK-40-0021	1½"	1.312	33.4	2.312	58.7	Naval Brass
ASK-40-0024	2"			2.687	68.2	
ASK-40-0022	2½"	1.75	44.5	3.187	80.9	
ASK-40-0023	3"			3.937	100	
ASK-40-0021S	1½"	1.312	33.4	2.312	58.7	316L SS

Some sizes available in SS

Pressure Cap Assembly



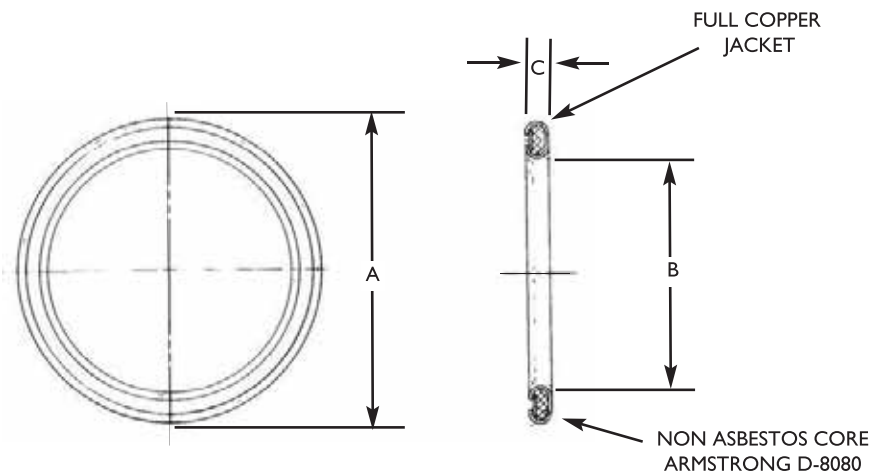
Ordering Information

Acme Part No.	Liquid Service	Size	CGA Designation
590-030-15	Nitrogen	1½"	NI-150
590-032-25		2½"	NI-250
580-030-15	Argon	1½"	AR-150
580-032-25		2½"	AR-250
540-032-15	Oxygen	1½"	OX-150
540-033-20		2"	OX-200
540-034-30		3"	OX-300

NOTE: All pressure cap assembly numbers are bronze nuts.

Copper Clad Gasket (Double Jacket) Or Virgin Teflon®

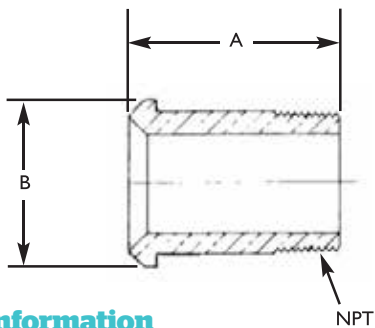
Oxygen clean and certified.
25 Copper gaskets per package
100 Teflon gaskets per package



Ordering Information

Acme Part No.	Size	A		B		C		Material
		Inches	MM	Inches	MM	Inches	MM	
ASK-40-0045	1½"	1.940	49.3	1.50	38.1	0.090	2.290	Copper
ASK-40-0047	2½"	3.000	76.2	2.50	63.5			
ASK-40-0048	3"	3.690	93.7	3.00	76.2			
ASK-40-0016	1½"	1.940	49.3	1.50	38.1	0.090	2.290	Teflon
ASK-40-0017	2"	2.440	62	2.00	50.8			
ASK-40-0018	2½"	3.000	76.2	2.50	63.5			
ASK-40-0019	3"	3.687	93.6	3.00	76.2			

Head Piece Threaded

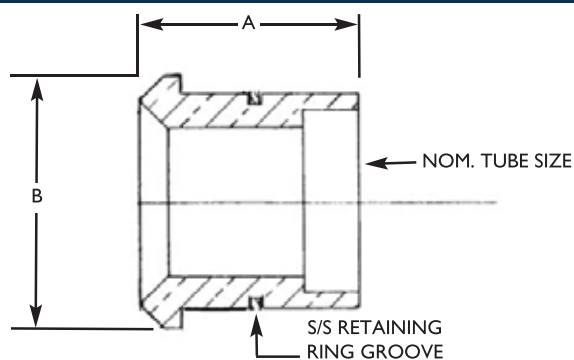


Precision machined to Compressed Gas Association standards. Material naval brass per ASTM-B-21
Material 304 S/S ASTM-A276
Material 316L S/S ASTM-A276

Ordering Information

Acme Part No.	Liquid Service	Size	NPT	Material	A Inches	B Inches
ASK-40-0003	LIN, LOX, LAR	1½"	1½"-11½"	Naval Brass	2.750	2.187
ASK-40-0130					3.250	
ASK-40-0082	Argon, Nitrogen	2½"			4.750	3.180
ASK-40-0080	O2	3"		3.937		
ASK-40-0084	LIN, LOX, LAR	1½"		316L SS	2.750	2.187
ASK-40-0118				304 SS	2.750	2.187
ASK-40-0020	O2	2"	2"-11½"	Naval Brass	3.000	2.687
ASK-40-0050	Argon, Nitrogen	2½"			4.000	3.180
ASK-40-0051	O2	3"			3.750	3.937
ASK-40-0127	O2	2"		304 SS	3.000	2.687
ASK-40-0125	Argon, Nitrogen	2½"			4.000	3.180
ASK-40-0126	O2	3"			3.750	3.937
ASK-40-0004	Argon, Nitrogen	2½"	2½"-8	Naval Brass	3.625	3.180
ASK-40-0097	O2	3"			4.000	3.937
ASK-40-0129	Argon, Nitrogen	2½"		3.625	3.180	
ASK-40-0131	O2	3"		3"-8	304 SS	4.000
ASK-40-0006			Naval Brass		3.625	
ASK-40-0128			304 SS	3.625		

Head Piece Braze End And Schedule 10 BWE (Not Pictured)



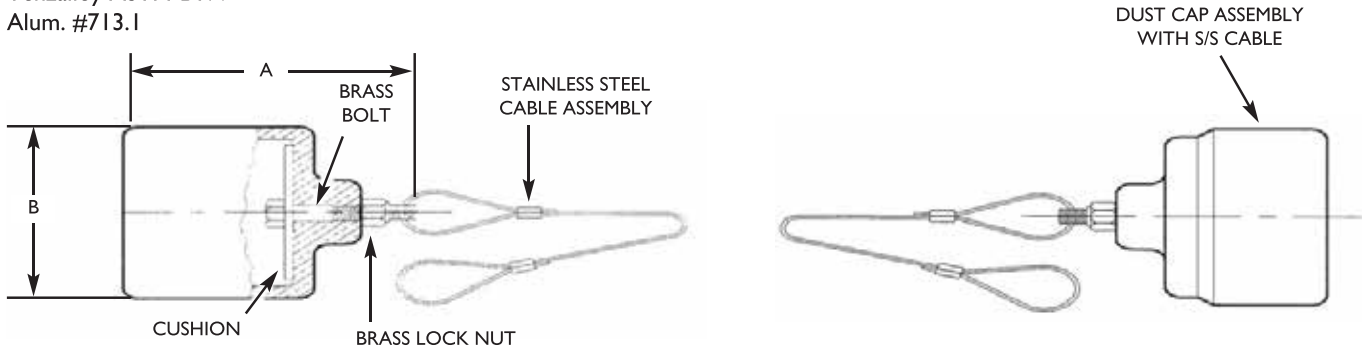
Precision machined to Compressed Gas Association standards. Material naval brass per ASTM-B-21
Material 304 S/S ASTM-A276
Material 316L S/S ASTM-A276

Ordering Information

Acme Part No.	Liquid Service	Size	Tube or Size	Material	A Inches	B Inches
ASK-40-0049	LIN, LOX, LAR	1½"	1½" Tube Mate	Naval Brass	2.750	2.187
ASK-40-0052			1½" Tube Socket		1.687	
ASK-40-0116			1½" Pipe BWE	316L SS	4.000	
ASK-40-0135			1½" O.D. Tube BWE		4.250	
ASK-40-0117			1¼" Pipe Socket	304 SS	1.687	
ASK-40-0119			1½" Pipe BWE		2.750	
ASK-40-0053	O2	2"	2" Tube Socket	Naval Brass	1.937	2.687
ASK-40-0054	Argon, Nitrogen	2½"	2" Tube Socket		2.937	3.180
ASK-40-0033	O2	3"	2" Tube Socket		2.687	3.937
ASK-40-0034	Argon, Nitrogen	2½"	2½" Tube Socket		2.062	3.180
ASK-40-0120			2½" Pipe BWE		304 SS	
ASK-40-0032	O2	3"	3" Tube Socket		Naval Brass	2.000
ASK-40-0121			3" Tube BWE	304 SS	3.625	

Dust Cap Assembly

Cap material cast aluminum, black anodized.
Tenzalloy ASTM-B179
Alum. #713.1



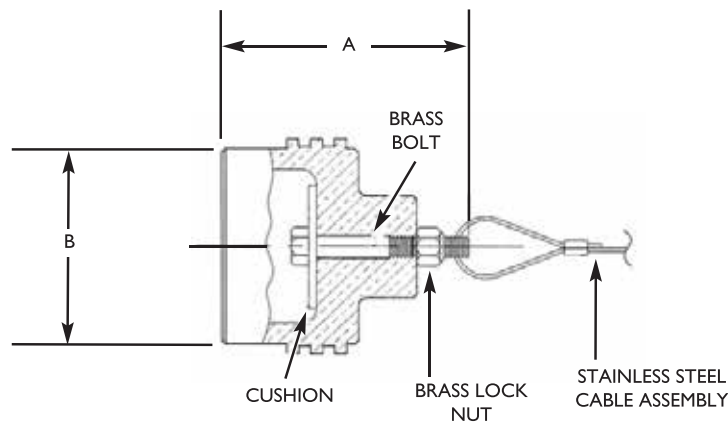
Ordering Information

Acme Part No.	Liquid Service	Size	CGA Designation	Thread Size	A		B	
					Inches	MM	Inches	MM
590-004-15	Nitrogen	1½"	NI-150	2.4-4 Stub Acme	4.250	108.0	2.875	73.0
590-008-25		2½"	NI-250	3.5-4 Acme			4.093	104.0
580-008-15	Argon	1½"	AR-150	2.7-4 Stub Acme	3.250	83.0	2.812	71.4
580-004-25		2½"	AR-250	3.813-4 Acme			3.937	100.0
540-004-15	Oxygen	1½"	OX-150	2.5-4 Acme	3.500	89.0	3.000	76.2
540-012-20		2"	OX-200	3-4 Acme			3.500	88.9
540-008-30		3"	OX-300	4.25-4Acme			4.812	122.2

Some sizes available in SS

Tail Plug Assembly

Plug material cast aluminum, black anodized.
Tenzalloy B-179
Alum. #713.1



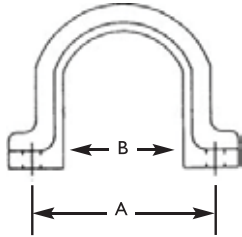
Ordering Information

Acme Part No.	Liquid Service	Size	CGA Designation	Thread Size	A	
					Inches	MM
590-001-15	Nitrogen	1½"	NI-150	2.4-4 Stub Acme	4.000	101.6
590-006-25		2½"		3.5-4 Acme		
580-006-15	Argon	1½"	AR-150	2.76-4 Stub Acme	3.500	88.9
580-001-25		2½"		3.813-4 Acme		
540-001-15	Oxygen	1½"	OX-150	2.5-4 Acme	3.750	95.3
540-013-20		2"		3-4 Acme		
540-006-30		3"		4.25-4 Acme		

Some sizes available in SS

Fixed End Clamp

For Machined Type Fixed Ends
Furnished complete with Bolt Assembly

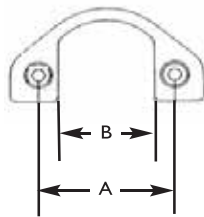


Ordering Information

Acme Part No.	Fixed End Size	A		B		Material
		Inches	MM	Inches	MM	
ASK-40-0026	1½"	4.00	101.6	2.250	57.2	Bronze
ASK-40-0027	2"	4.50	114.3	2.750	69.9	
ASK-40-0028	2½"	5.00	127.0	3.250	82.6	
ASK-40-0029	3"	5.50	139.7	3.750	95.3	
ASK-40-0141	1½"	4.00	101.6	2.250	57.2	304 SS
ASK-40-0142	2½"	5.00	127.0	3.250	82.6	

Fixed End Clamp, Right Angled

For Machined Type Fixed Ends
Furnished complete with Bolt Assembly



Ordering Information

Acme Part No.	Fixed End Size	A		B		Material
		Inches	MM	Inches	MM	
ASK-40-0079	1½"	3.25	120.7	2.250	57.2	Bronze
*ASK-40-0083						

*Argon Only

Stainless Steel Cable Assembly

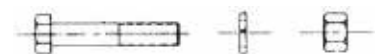


Ordering Information

Acme Part No.	A
ASK-40-0144	32"

Bolt Assembly for Fixed End Clamp

Material - stainless steel. Type 304

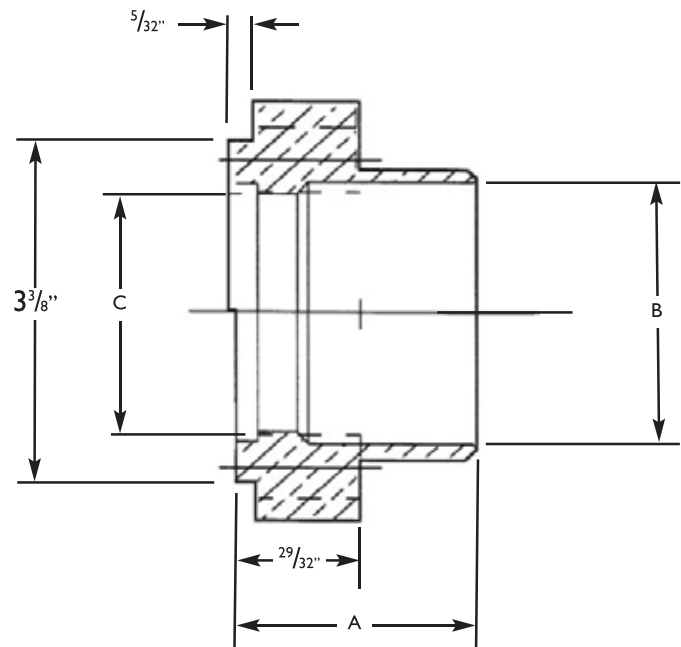
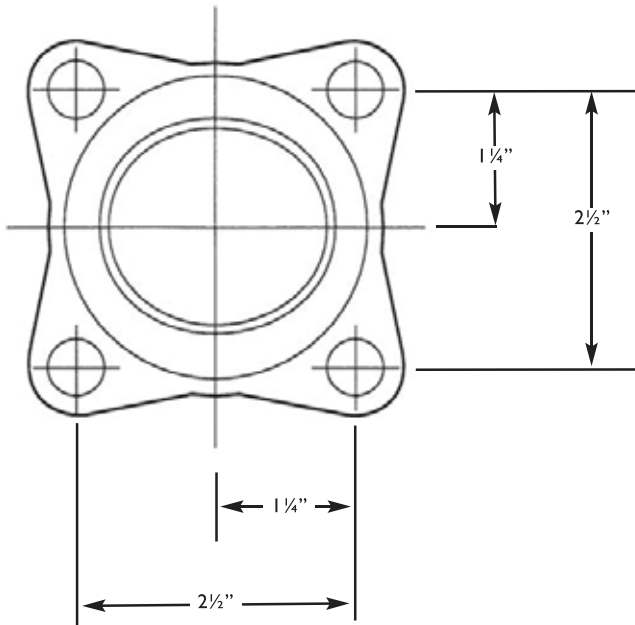


Ordering Information

Acme Part No.	"T" Thread Size	A
ASK-40-0025	½"-13 UNC	2¾"

Forged Brass Flanges 4-Bolt Hole Solder Type With Tongue

4-Bolt Hole Forged Flanges - with Tongue
 Tongue Diameters $2\frac{3}{4}'' \times 2\frac{7}{64}''$
 Pressure rating: 450 PSIG
 Service Temperature: -320°F to $+150^{\circ}\text{F}$
 Material: Forged Brass CA 377, ASTM B283



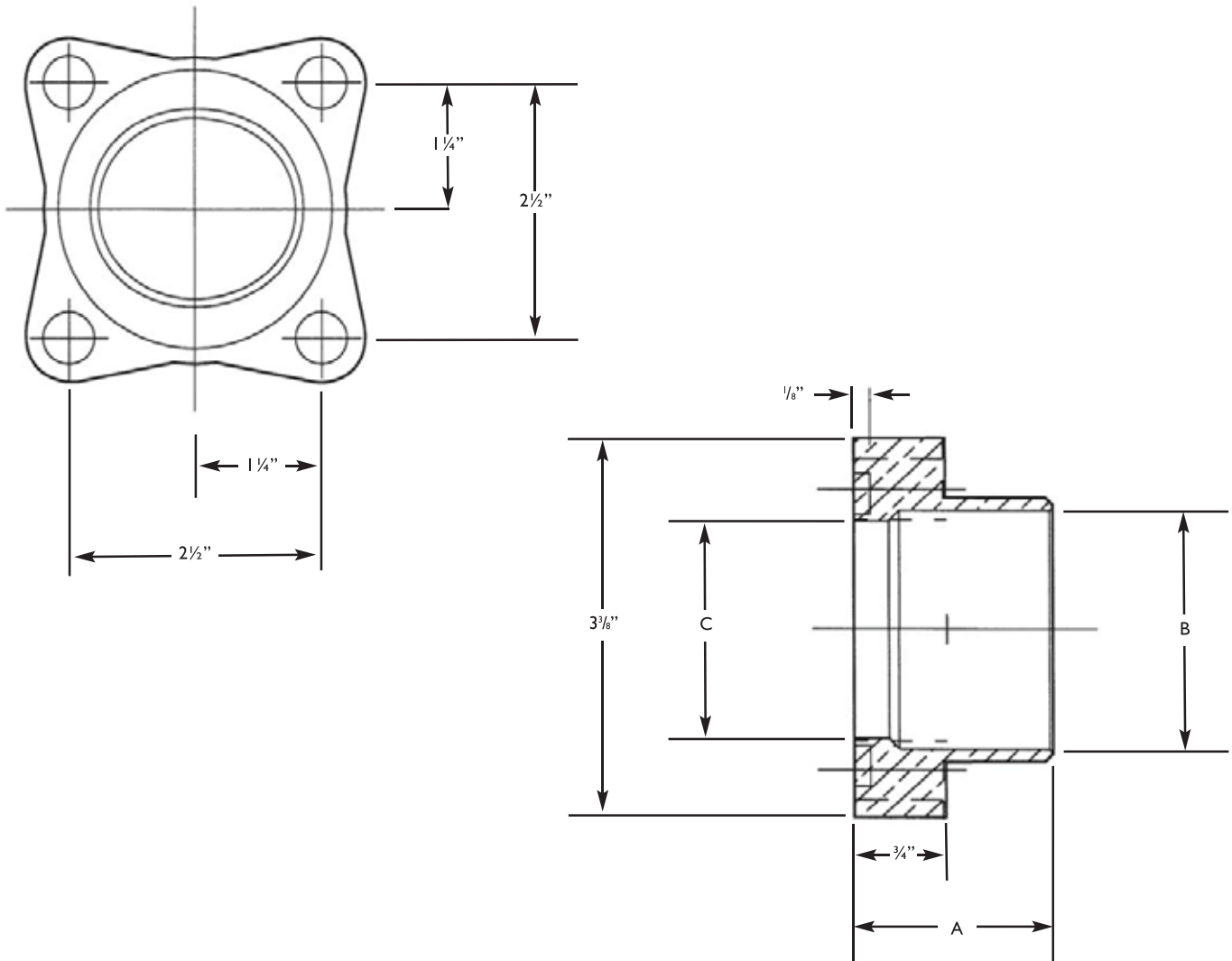
Ordering Information

Acme Part No.	Size			Dia. of Bolt Holes	WT./EA.
	A	Tube O.D. B	C		
ASK-40-0148	$1\frac{1}{4}''$	$1\frac{1}{8}''$	$1\frac{1}{16}''$	$\frac{17}{32}''$	2.06
ASK-40-0152	$1\frac{29}{32}''$	$1\frac{5}{8}''$	$1\frac{17}{32}''$		1.94
ASK-40-0156	$1\frac{1}{8}''$	$1\frac{1}{8}''$	$1\frac{15}{16}''$		1.63
Blind Flange					
ASK-40-0150	$1\frac{1}{8}''$	-	-	$\frac{17}{32}''$	4.00

*Flange size can be mixed to create a reducing union.

Forged Brass Flanges 4-Bolt Solder Type With Groove

4-Bolt Hole Forged Flanges - with Groove
Groove Diameters: $2\frac{25}{32}$ " x $2\frac{1}{16}$ "

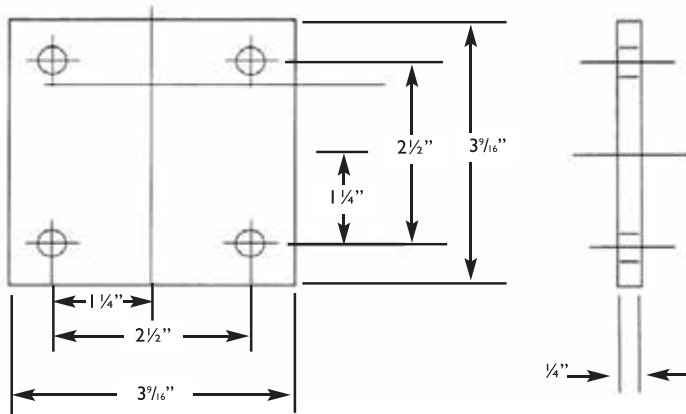


Ordering Information

Acme Part No.	Size			Dia. of Bolt Holes	WT./EA.
	A	Tube O.D. B	C		
ASK-40-0149	$1\frac{9}{16}$ "	$1\frac{1}{8}$ "	$1\frac{1}{16}$ "	$1\frac{7}{32}$ "	2.06
ASK-40-0153	$1\frac{3}{4}$ "	$1\frac{5}{8}$ "	$1\frac{17}{32}$ "		1.94
ASK-40-0157	$1\frac{23}{32}$ "	$2\frac{1}{8}$ "	$1\frac{15}{16}$ "		1.63
Blind Flange					
ASK-40-0151	$1\frac{23}{32}$ "	-	-	$1\frac{7}{32}$ "	4.00

*Flange size can be mixed to create a reducing union.

4-Bolt Hole Aluminum Shipping Plate

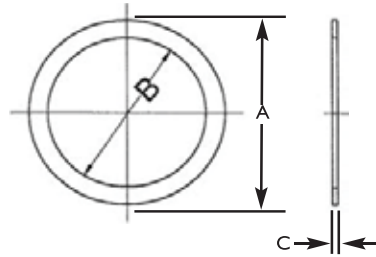


Ordering Information

Acme Part No.	Dia. of Bolt Holes	WT./EA.
ASK-40-0165	¹⁷ / ₃₂ "	.311

Not for use in pressurized service. For pressure applications use proper mating blind flanges as described above and proper gasket material as described below per service chart.

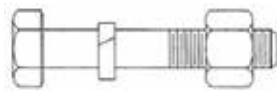
Gaskets



Ordering Information

Acme Part No.	Liquid Service	A	B	C	Material
ASK-40-0160	All Gas	2 ³ / ₄ "	2 ³ / ₁₆ "	0.063	25% glass filled Teflon
ASK-40-0162	Argon, Nitrogen				Klingersil C-440 I
288-819182	All Gas				Gylon

Hardware (Suitable For Cryogenic Applications)




Ordering Information

ACME PART NO.	DESCRIPTION	MATERIAL
ASK-40-0167	Bolt, Hex, Hd. 1/2" - 13UNC x 2 1/2" lg	ASTM A-320 Gr BS; 304 S.S.
ASK-40-0168	Nut, Hex, 1/2" - 13UNC	ASTM A-194 Gr ST; 321 S.S.
ASK-40-0169	Washer, Lock, 1/2" medium spring	304 s.s
ASK-40-0170	Bolting Kit, (4) per kit, (as shown)	Bolting Kit (as shown)

ACME 

CRYOGENICS

PART OF OPW | a  **DOVER** company

800.422.2790